



SUBJECT

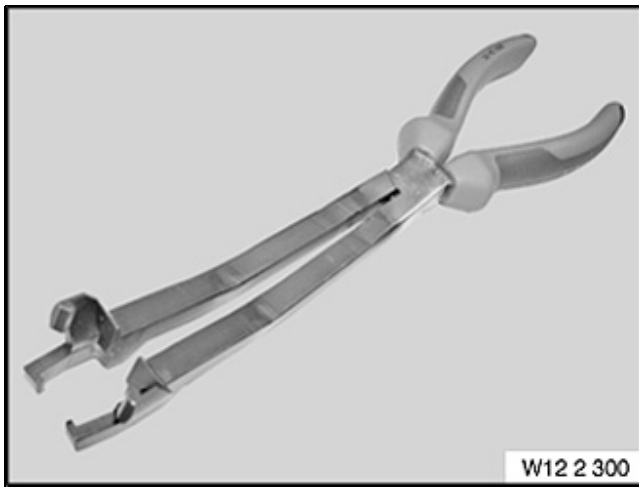
Mechanical Tools - Diesel

MODEL

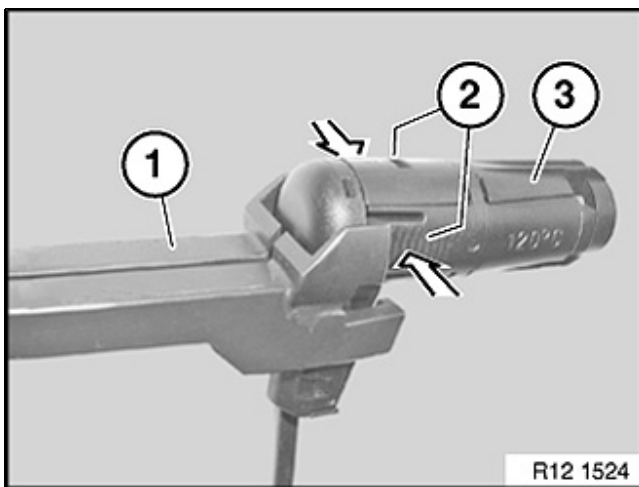
M57T2

SITUATION

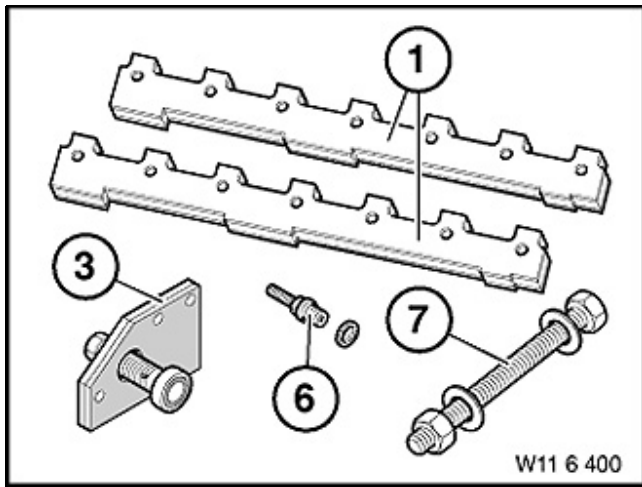
Distribution of the following tools will **not** be through the Automatic Tool Shipment Program. Tools may be purchased through your Regional Distribution Center (RDC).



Pliers for releasing glow plug connectors
Order PN 83 30 0 495 140
Cartool PN 122 300
Price - \$189.32



Pliers (1) are used to release the arrestor hooks (2) on the glow plug connectors (3) correctly. The pliers completely enclose the head, so that the connector can be released and pulled off without causing damage.



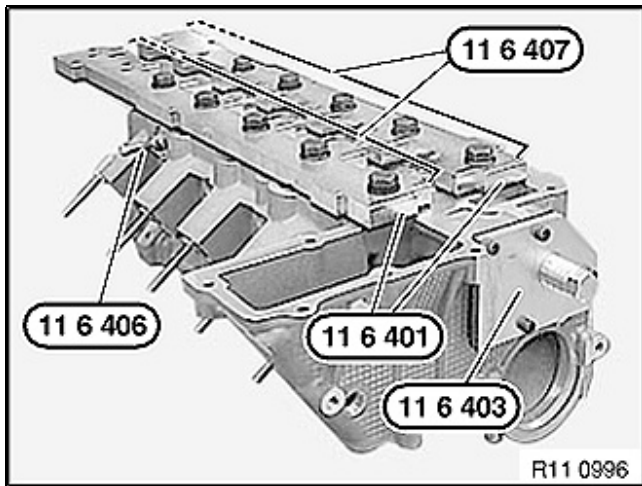
Pressure tool

Order PN 83 30 0 493 231

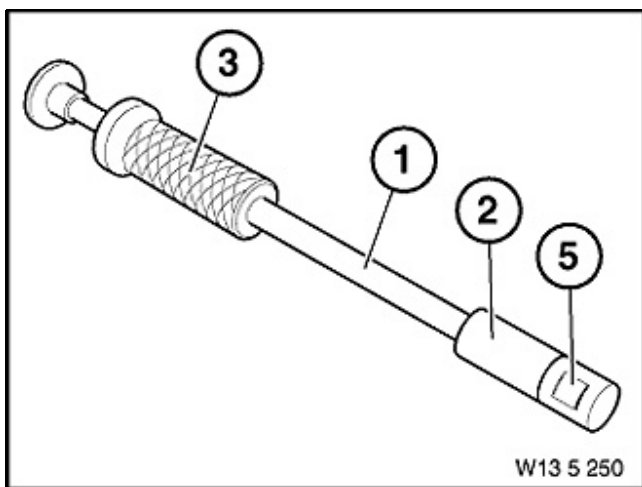
Cartool PN 116 400

Price - \$441.15

- 1. 116 401 (83 30 0 493 237) Sealing strips (qty. 2) with rubber seal
- 116 402 (83 30 0 493 238) Rubber seals (qty. 2) for sealing strips 116 401
- 3. 116 403 (83 30 0 493 239) Cover for water pump connection
- 116 404 (83 30 0 493 240) O-ring for spindle 116 403
- 6. 116 406 (83 30 0 493 242) Screw plug M12 with valve
- 7. 116 407 (83 30 0 493 307) Retaining screws (qty. 14), M12 x 125 mm for sealing strips



This tool is used for checking the cylinder head for leaks. For more details, refer to Repair Manual section 11 12 729.



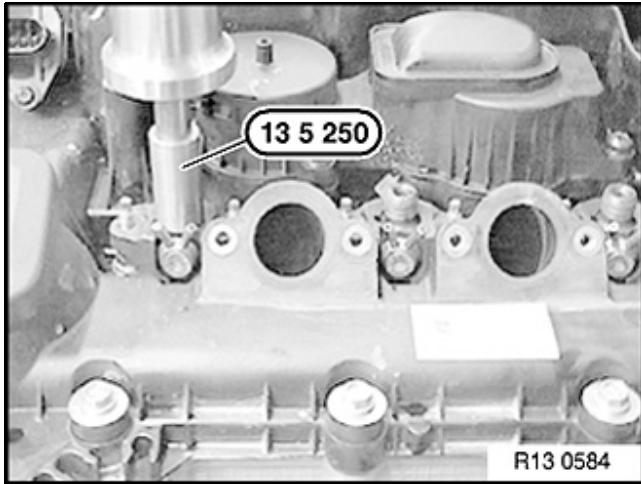
Extractor tool

Order PN 83 30 0 493 321

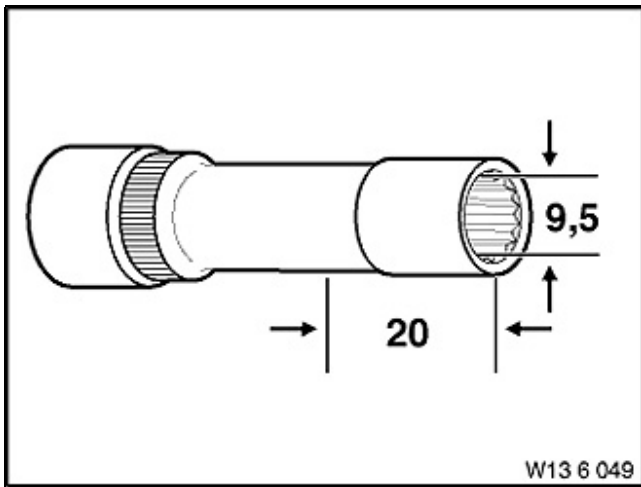
Cartool PN 135 250

Price - \$121.88

- 1. 135 251 (83 30 0 493 338) Guide rod
- 2. 135 252 (83 30 0 493 339) Threaded sleeve
- 3. 135 253 (83 30 0 493 340) Striker weight

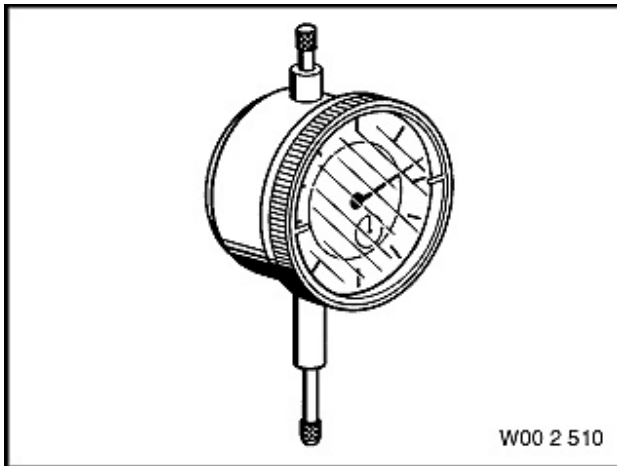


This tool is used for removing the injection nozzle assembly from the cylinder head. For more details, refer to Repair Manual section 13 53 320.

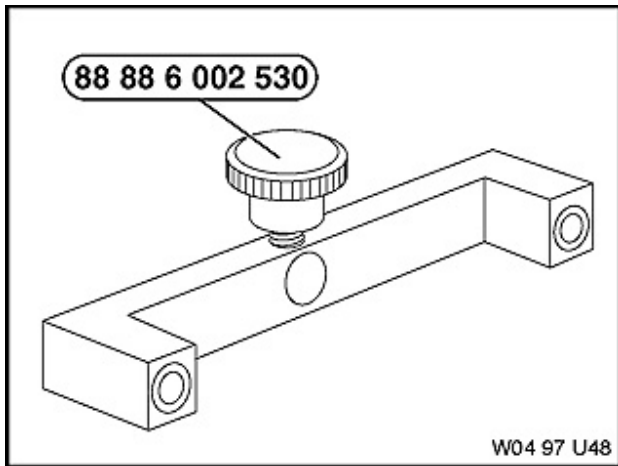


Socket wrench insert 10 mm A/F
Order PN 83 30 0 491 068
Cartool PN 116 050
Price - \$34.31

This tool is used for loosening and tightening the glow plugs. For more details, refer to Repair Manual section 12 23 505.



Dial Gauge with tracer plunger
Order PN 83 30 0 490 180
Cartool PN 002 510
Price - \$66.21



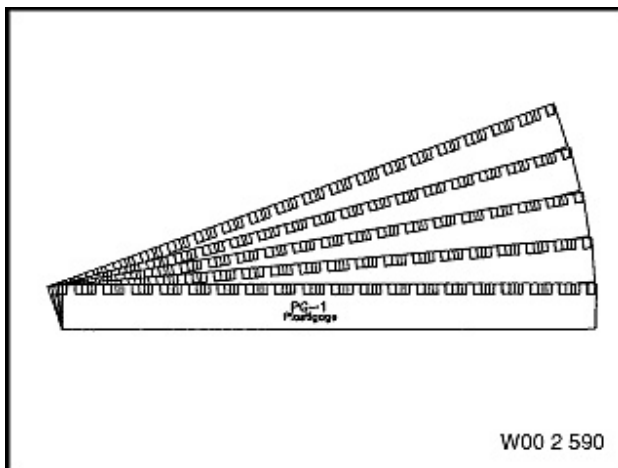
Measuring Bridge

Order PN 83 30 0 490 185

Cartool PN 002 530

Price - \$126.74

This tool is used in conjunction with gauge, 83 30 0 490 180, for measuring the piston projection length. Refer to Repair Manual section 11 25 530.



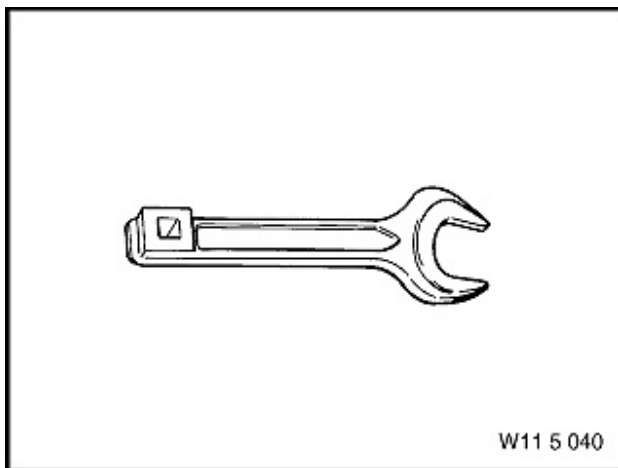
Plasitgage

Order PN 83 30 0 490 190

Cartool PN 002 590

Price - \$45.12

This tool is used for checking the bearing play on the crankshaft and in big-end bearings. Refer to Repair Manual section 11 21 531.



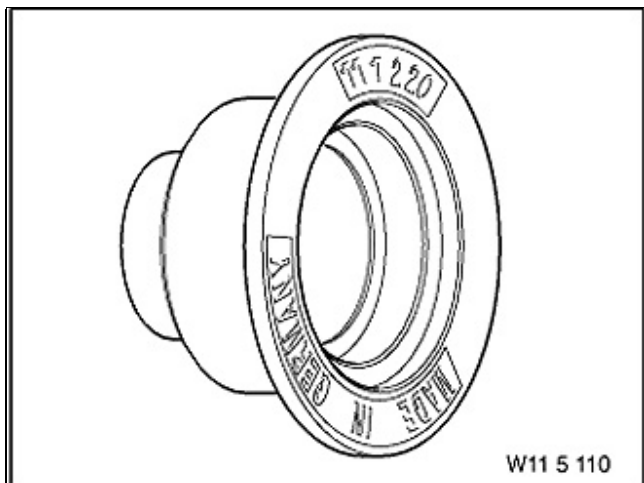
Open-ended wrench WAF 32

Order PN 83 30 0 491 047

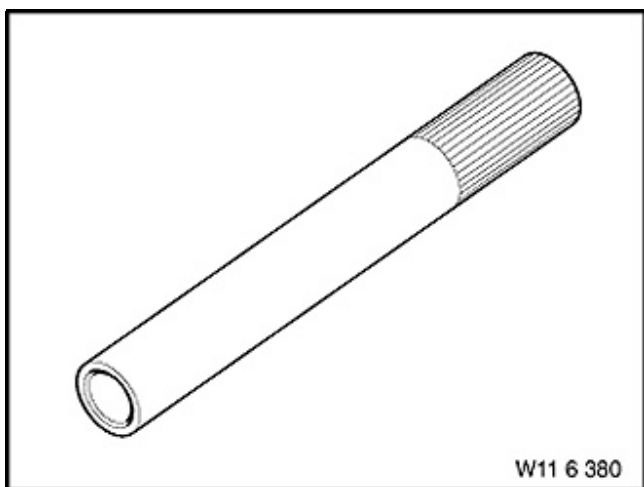
Cartool PN 115 040

Price - \$59.52

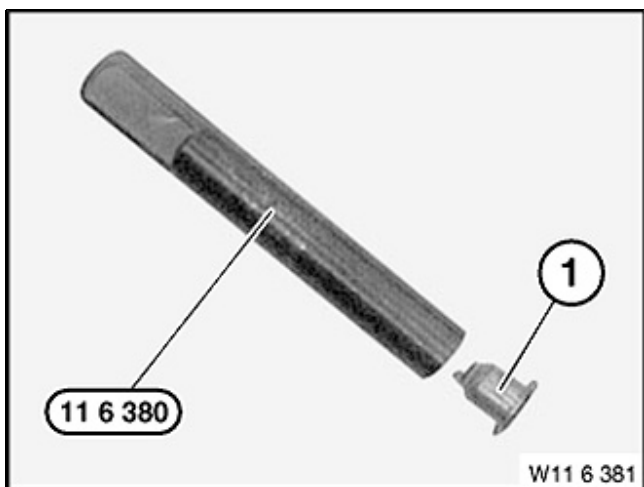
This tool is used for loosening and tightening the fan. Refer to Repair Manual section 11 52 020.



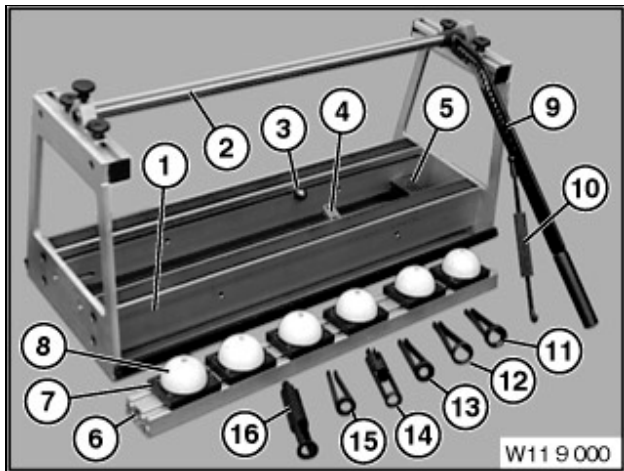
Crankshaft Seal Installer
Order PN 83 30 0 491 057
Cartool PN 115 110
Price - \$23.17
This tool is used to install the front crankshaft seal in the timing case cover.



Drift
Order PN 83 30 0 493 249
Cartool PN 116 380
Price - \$26.79



This tool is used for installing the valve stem seal (1). For more details, refer to Repair Manual section 11 34 560.



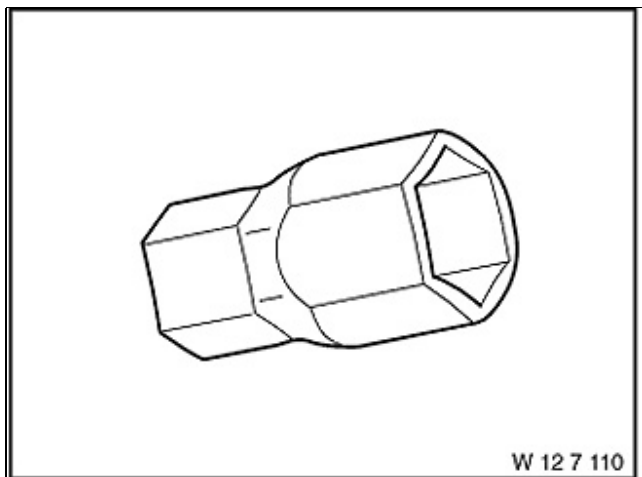
Valve Spring Retainer

Order PN 83 30 0 494 379

Cartool PN 119 015

Price - \$69.08

This tool (14) is used to disassemble the head. Refer to Repair Manual section 11 12 504.



Pulley Wrench Socket WAF 24

Order PN 83 30 0 491 167

Cartool PN 127 110

Price - \$9.11

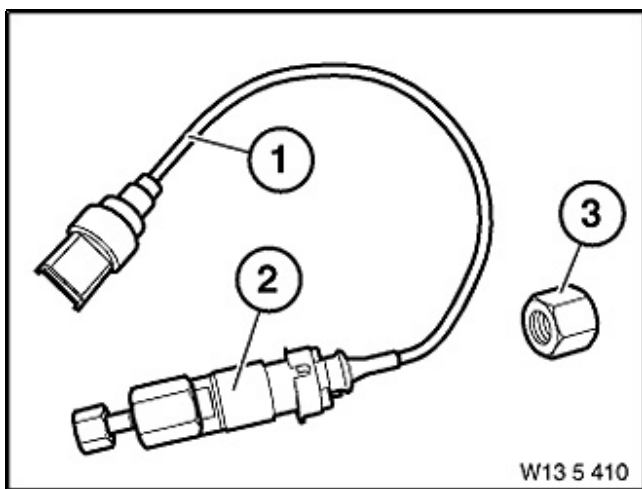
This tool is used to remove and replace the generator pulley.

Test Kit

Order PN 83 30 0 493 465

Cartool PN 135 410

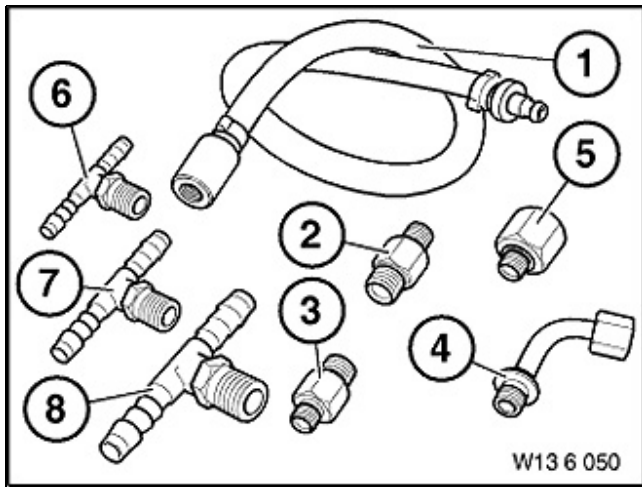
Price - \$365.67



- 1. 135 411 Adapter cable
- 2. 135 412 Pressure sensor with connector M12 x 1.5
- 3. 135 413 (8 off) Plugs M14 x 1.5

135 415 (1 off) Plug M12 x 1.5 for sealing injector connections on the Common Rail

This tool is used for the high-pressure section of the fuel injection system (Common Rail), to check the components high-pressure pump, pressure regulator and injectors for correct operation and freedom from leaks. For more details, refer to Repair Manual sections 13 51 542 and 13 51 544.



Pressure Sensor Adapter Kit

Order PN 83 30 0 491 340

Cartool PN 136 050

Price - \$152.30

This tool is used in conjunction with 25 bar pressure sensor, 81 12 9 428 833, to test system pressures.

WARRANTY INFORMATION

Refer to Parts Information bulletin PI B06 14 06, section 2.5.2, for tool warranty details.

[Copyright ©2009 BMW of North America, Inc.]