



PERFORM THE PROCEDURE OUTLINED IN THIS SERVICE INFORMATION ON ALL AFFECTED VEHICLES BEFORE CUSTOMER DELIVERY OR THE NEXT TIME THEY ARE IN THE SHOP FOR MAINTENANCE OR REPAIRS.

SUBJECT

Service Action: Replace the SCR Active Tank (M57Y)

MODEL

E70 with the M57Y diesel engine produced from 1/2008 to 8/2009

SITUATION

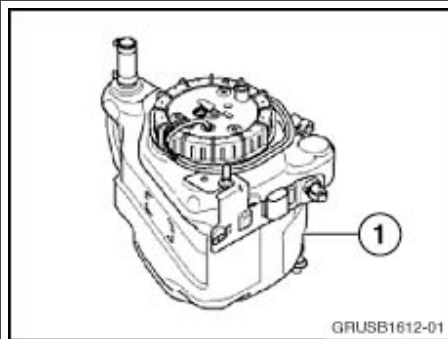
The temperature sensor in the Selective Catalyst Reduction (SCR) active tank may fail. A more robust sensor has been developed. This sensor is integrated into the active tank.

AFFECTED VEHICLES

This Service Action involves E70 vehicles with the M57Y diesel engine which were produced from 1/2008 to 8/2009.

In order to determine whether a specific vehicle has had this Service Action completed or is affected by this Service Action, first check the B-pillar label for code number **610**. If code number **610** has been punched out, the campaign has already been performed. If code number **610** has not been punched out, it will be necessary to utilize the "Service Menu" of DCSnet (Dealer Communication System) or the Key Reader. Based on the response of the system, either proceed with the corrective action or take no further action.

PROCEDURE

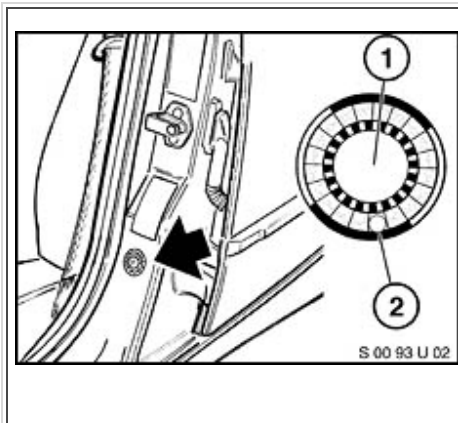


Replace the SCR active tank (1) (refer to Repair Instruction RA 16 19 020). Fill the new tank with new diesel exhaust fluid (DEF)
Note: The E70 Diesel engine Active Tank capacity is 6.4 liters or 1.70 gallons.

PARTS INFORMATION

Part Number	Description	Quantity
16 19 7 244 138	SCR active tank	1
07 14 2 151 750	Blind rivet	7

LABEL INSTRUCTIONS



This Service Action has been assigned code number **610**. After the vehicle has been checked and/or corrected, obtain a label (SD 92-403) and:

- A. Emboss your BMW center warranty number in the middle of the label (1);
- B. Punch out code number **610** (2), printed on the label; and
- C. Affix the label to the B-pillar as shown.

If the vehicle already has a label from a previous Service Action/Recall Campaign, affix the new label next to the old one. Do not affix one label on top of another one, because a number from an underlying label could appear in the punched-out hole of the new label.

WARRANTY INFORMATION

The repair described in this bulletin is covered under warranty regardless of time or mileage. Reimbursement for this Service Action will be via normal claim entry utilizing the following information.

Defect Code:	00 16 74 01 00	
Labor Operation:	Labor Allowance:	Description:
00 60 741	16 FRU	Replace the active tank
Sublet Code 4	See sublet reimbursement calculation below	Reimbursement for replacing the drained quantity of DEF (Bulk container reference P/N 83 19 0 440 158, 2.5 gallon container. Do not use this part number for claim submission)

Labor operation code 00 60 741 is a Plus labor operation.

PN 83 19 0 440 158 (DEF bulk container of 2.5 gallons), claim 1.7 gallons at dealer net plus handling in sublet and explain the sublet in the claim comment section.

[Copyright ©2012 BMW of North America, Inc.]