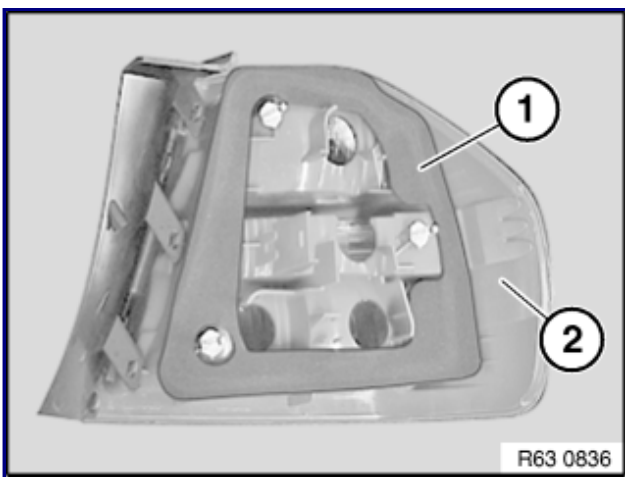


Release nuts (1), tightening torque [63 21 1AZ](#).

Remove rear light (2) in outwards direction from side panel (3).

*Installation:*

Make sure gap is uniform all round between rear light (2) and side panel (3).



*Installation:*

Make sure seal (1) is correctly seated on rear light (2).