

**REP-REP-RAE9051-5112801-SCR Removing and installing/replacing left bracket for rear bumper (SCR)**

VIN: XXXXXXX Vehicle: 3'E90/SEDAN/335d/M57/AUTO/USA/LL/2010/10

System 3.42.40.11060 Data R3.42.40.11060

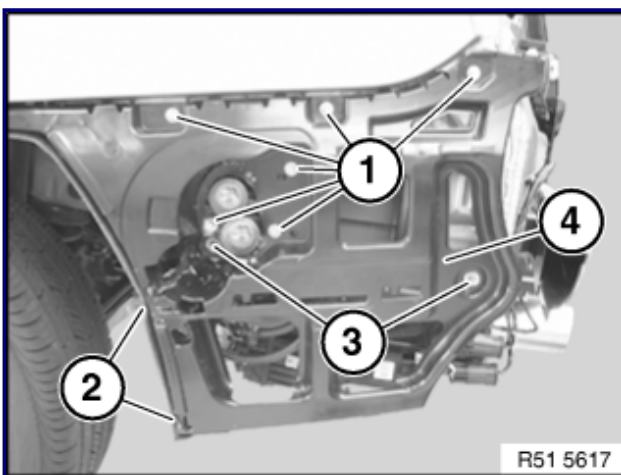
Version: Version:

51 12 801

**Removing and installing/replacing left bracket for rear bumper (SCR)**

**Necessary preliminary tasks:**

- Remove [rear bumper trim](#)



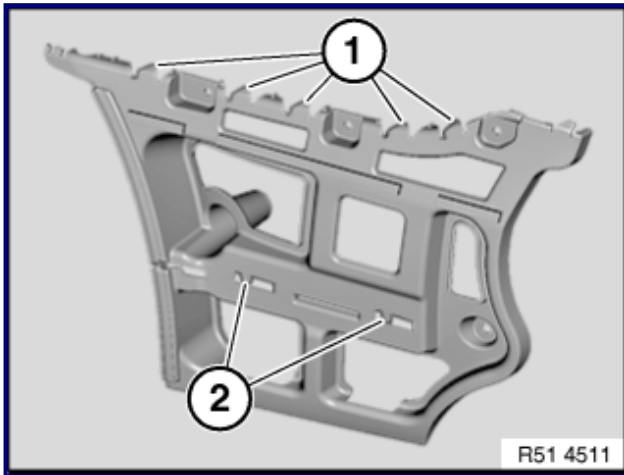
If necessary, unlock and disconnect plug connection on RDC trigger transmitter.

Release nuts (1 and 3).

Release screws (2) and remove holder (4).

**Installation:**

Catches (1 and 2) must not be damaged or missing.

**Replacement:**

If necessary, remove [RDC trigger transmitter](#) .

Predrill [fixing holes for RDC trigger transmitter](#) (for Sports package in construction period from 03/09 to 09/09).