

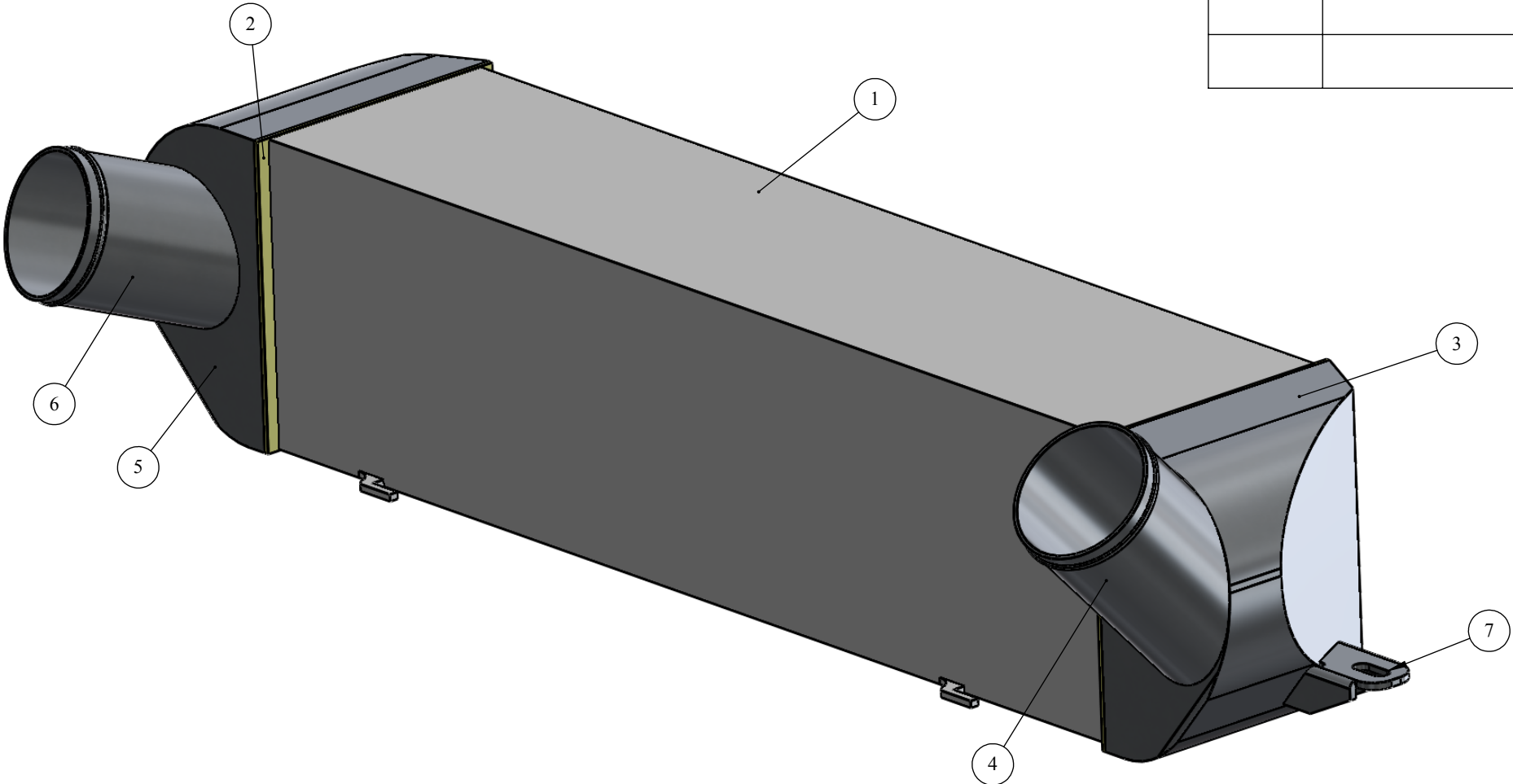
103 Lahrs Road, Ormeau, QLD, 4208
 Ph: 07 5547 1600 Fx: 07 5547 1666
 info@pwr.com.au www.pwr.com.au

ENGINEERING THE UNFAIR ADVANTAGE

*This Drawing Remains The Intellectual Property Of PWR Performance Products
 COPYRIGHT PWR PERFORMANCE PRODUCTS pty ltd © 2012*

TOLERANCES							CUSTOMER APPROVAL				
	≤6	>6-30	>30-120	>120-400	>400-1000	ANGLE°	Signed:		Date:		
Welding	±0.5	±1	±1.5	±2.5	±4	±2	Material:	Aluminium	Sheet: 1 OF 2	Scale: NTS	Drawn by: R Hagedorn
Sheet Metal	±0.3	±0.5	±0.8	±1.2	±2	±1	Finish:	Bare			
Machining	±0.1	±0.2	±0.3	±0.5	±.8	±0.5	Tank Gauge:	2mm 5005 AL			

Description:		BMW 1M 116mm INTERCOOLER	
Customer:		-	
Customer Ref:	Part No:	-	50790



103 Lahrs Road, Ormeau, QLD, 4208
 Ph: 07 5547 1600 Fx: 07 5547 1666
 info@pwr.com.au www.pwr.com.au

ENGINEERING THE UNFAIR ADVANTAGE

*This Drawing Remains The Intellectual Property Of PWR Performance Products
 COPYRIGHT PWR PERFORMANCE PRODUCTS pty ltd © 2012*

	TOLERANCES					
	≤6	>6 ≤30	>30 ≤120	>120 ≤400	>400 ≤1000	ANGLE°
Welding	±0.5	±1	±1.5	±2.5	±4	±2
Sheet Metal	±0.3	±0.5	±0.8	±1.2	±2	±1
Machining	±0.1	±0.2	±0.3	±0.5	±.8	±0.5

CUSTOMER APPROVAL			
Signed:		Date:	
Material:	Aluminium	Sheet: 2 OF 2	Scale: NTS
Finish:	Bare	Drawn by:	R Hagedorn
Tank Gauge:	2mm 5005 AL	Checked by:	
		Date:	4/05/2012



Description:		BMW 1M 116mm INTERCOOLER	
Customer:		-	
Customer Ref:	-	Part No:	50790