

103 Lahrs Road, Ormeau, QLD, 4208
 Ph: 07 5547 1600 Fx: 07 5547 1666
 info@pwr.com.au www.pwr.com.au

ENGINEERING THE UNFAIR ADVANTAGE

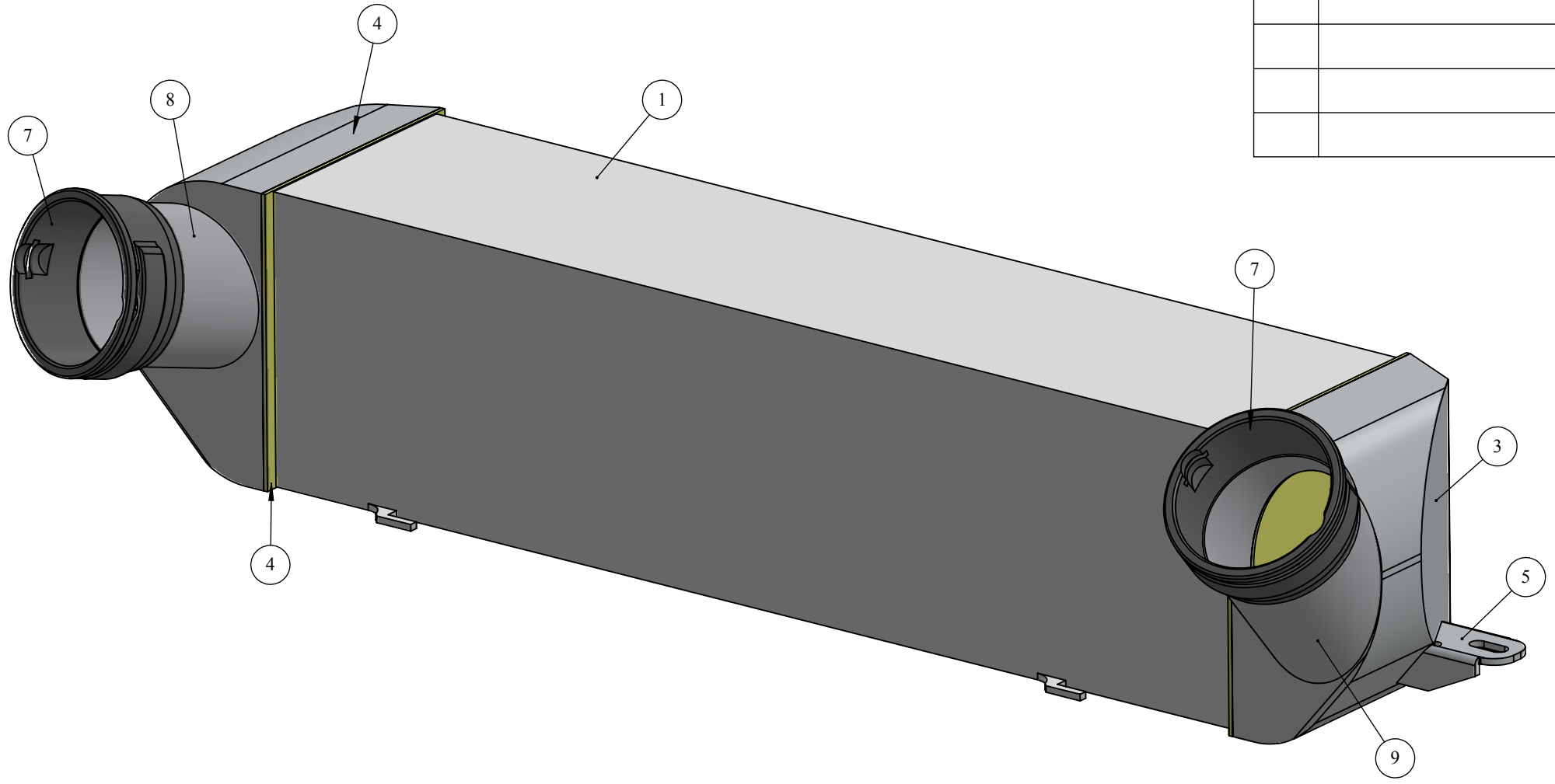
*This Drawing Remains The Intellectual Property Of PWR Performance Products
 COPYRIGHT PWR PERFORMANCE PRODUCTS pty ltd © 2012*

	TOLERANCES					
	9°	>30	>30	>120	>400	>1000
Welding	±0.5	±1	±1.5	±2.5	±4	±2
Sheet Metal	±0.3	±0.5	±0.8	±1.2	±2	±1
Machining	±0.1	±0.2	±0.3	±0.5	±.8	±0.5

CUSTOMER APPROVAL			
Signed:		Date:	
Material:	Aluminium	Sheet: 1 OF 2	Scale: NTS
Finish:	Bare	Drawn by:	R Hagedorn
Tank Gauge:	2mm 5005 AL	Checked by:	
		Date:	31/05/2012



Description:		BMW 1M 116mm INTERCOOLER	
Customer:		-	
Customer Ref:	-	Part No:	51088



103 Lahrs Road, Ormeau, QLD, 4208
 Ph: 07 5547 1600 Fx: 07 5547 1666
 info@pwr.com.au www.pwr.com.au

ENGINEERING THE UNFAIR ADVANTAGE

*This Drawing Remains The Intellectual Property Of PWR Performance Products
 COPYRIGHT PWR PERFORMANCE PRODUCTS pty ltd © 2012*

	TOLERANCES					
	≤6	>6-30	>30-120	>120-400	>400-1000	ANGLE°
Welding	±0.5	±1	±1.5	±2.5	±4	±2
Sheet Metal	±0.3	±0.5	±0.8	±1.2	±2	±1
Machining	±0.1	±0.2	±0.3	±0.5	±.8	±0.5

CUSTOMER APPROVAL			
Signed:		Date:	
Material:	Aluminium	Sheet: 2 OF 2	Scale: NTS
Finish:	Bare	Drawn by:	R Hagedorn
Tank Gauge:	2mm 5005 AL	Checked by:	
		Date:	31/05/2012



Description:		BMW 1M 116mm INTERCOOLER	
Customer:		-	
Customer Ref:	-	Part No:	51088