

REP-REP-RAE8764-6431092 Removing and installing/replacing microfilter housing (lower section)
, VIN: XXXXXXXX

ISTA system version	3.53.13.15645	Data version	R3.53	Programming data	-
VIN	XXXXXXXX	Vehicle	3'/E90/SEDAN/335d/M57/AUTO/USA/LL/2010/01		
Integration level factory	-	Integration level (current)	-	Integration level (target)	-
Mileage	0 km				

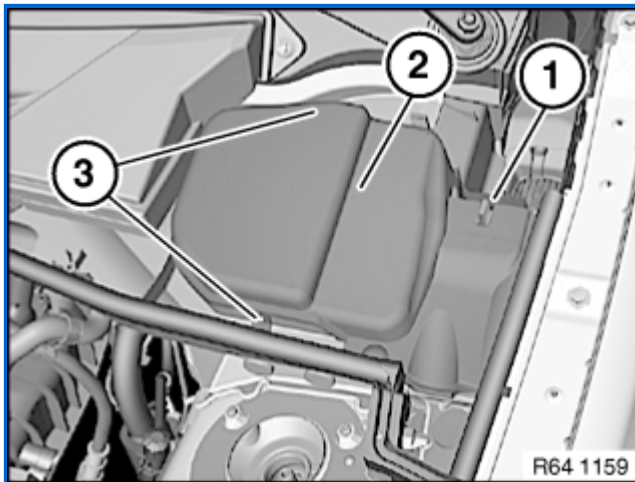
64 31 092

Removing and installing/replacing
microfilter housing (lower section)



Necessary preliminary tasks:

- Remove [upper section of microfilter housing](#)



Release holder (1).

Release catches (3).

Remove right cover (2).

Installation note:

Make sure right cover (2) is correctly seated.

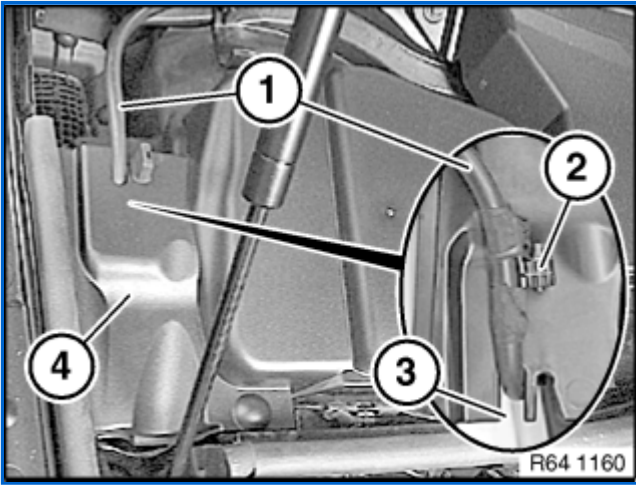
Left cover (4) is removed in same way as right cover.

Also for E90:

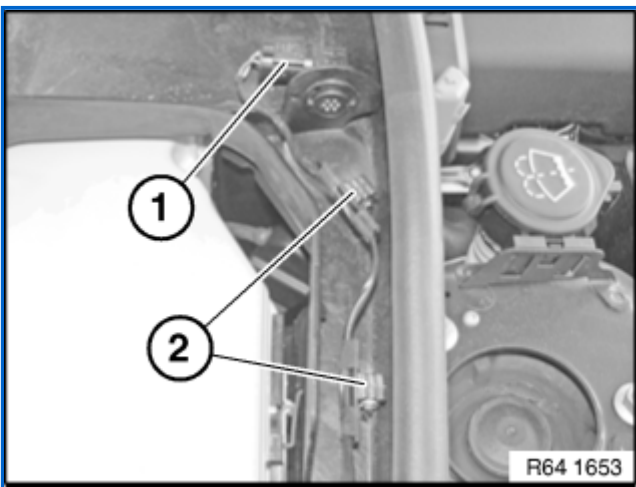
Release cable holder (2) and remove hose (1) from cover (4).

Installation note:

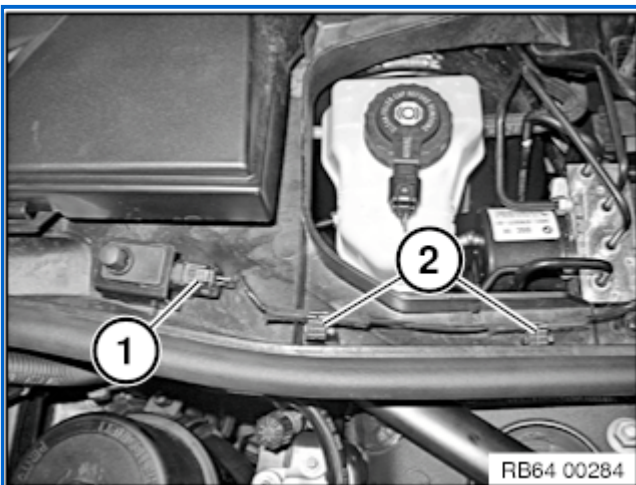
Make sure cable clip (2) and hose (1) are correctly seated in recess (3).



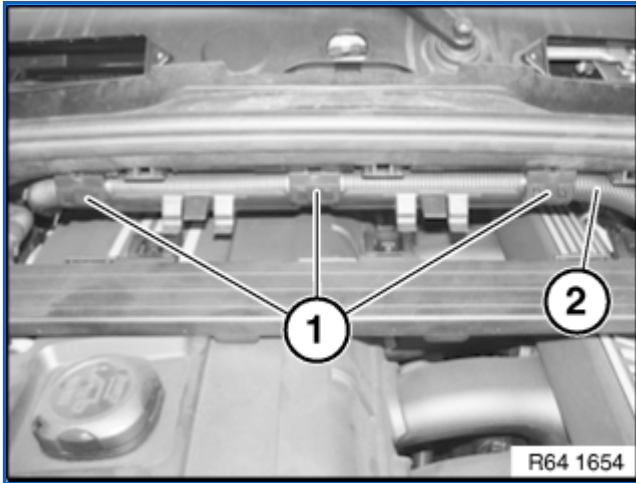
Unfasten plug connection (1) and disconnect.
Unclamp cable from guides (2).



Unfasten plug connection (1) and disconnect.
Unclamp cable from guides (2).



Applies to: E81, E82, E87, E88
Open hose clamps (2) on hose (1).



Except for: E84 / N20

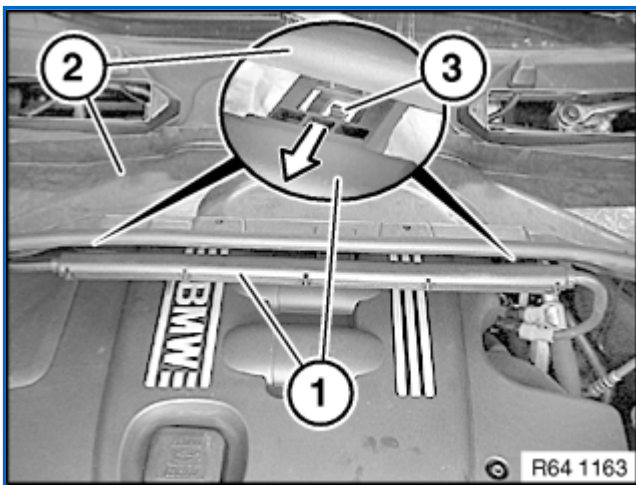
Press retaining lugs (3).

Release cable strip (1) in direction of arrow from lower section of microfilter housing (2).

Installation note:

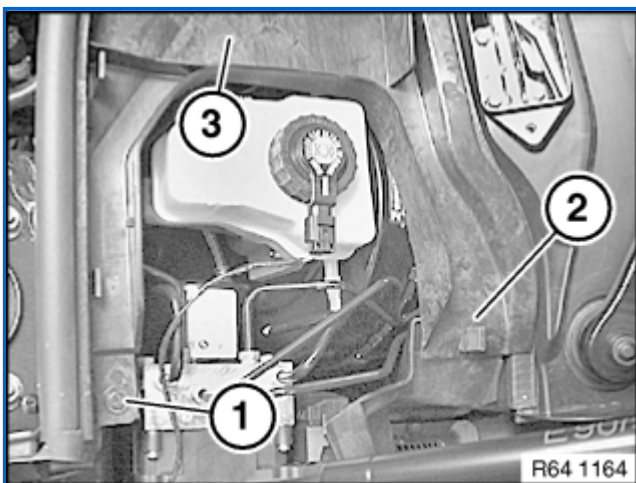
Retaining lugs (3) must not be damaged or missing.

Make sure cable strip is correctly seated.



Release holder (2) on both sides.

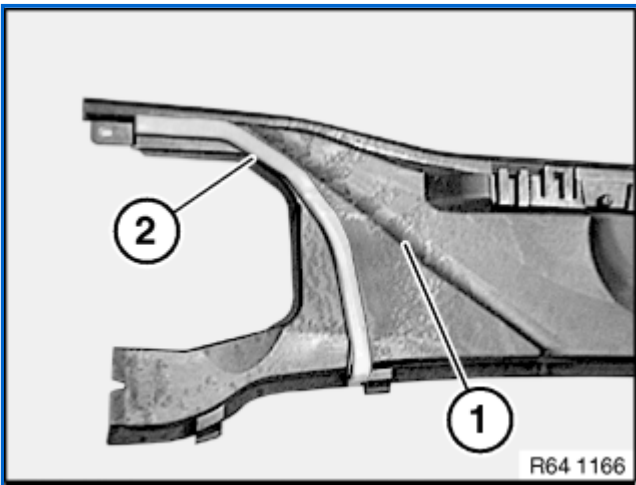
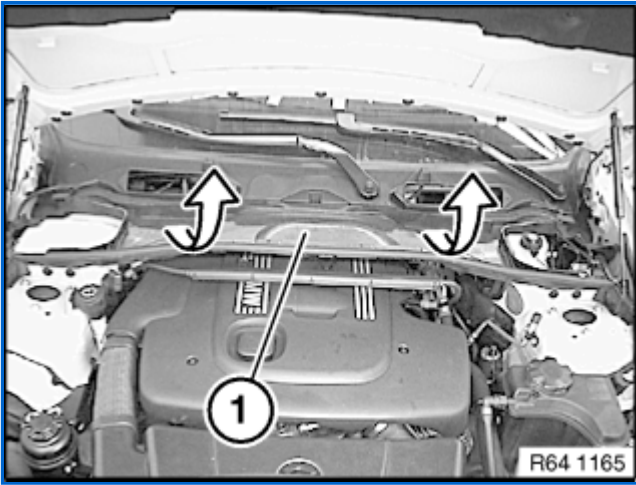
Release screw (1) on both sides on lower section of microfilter housing (3).



Feed out microfilter housing lower section (1) in direction of arrow and remove.

Installation note:

Make sure microfilter housing lower section (1) is correctly seated.



Installation note:

Seal (2) of microfilter housing lower section (1) must not be damaged or missing.