



SUBJECT

M57Y DDE Fault Code 46B7 Swirl Flap Actuator

MODEL

E70 and E90 with the M57Y engine

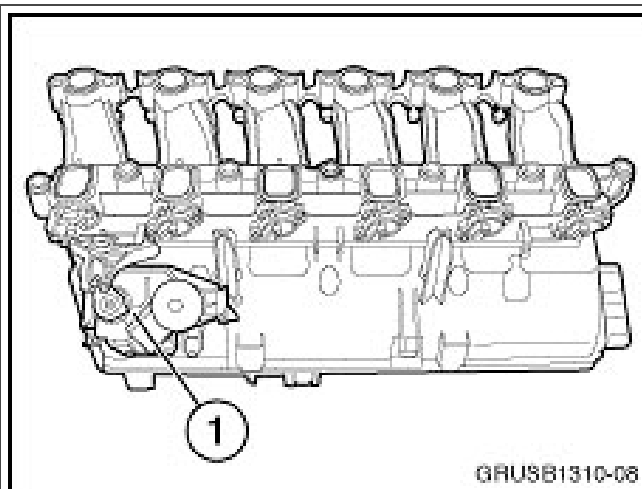
SITUATION

The Service Engine Soon lamp (MIL) is illuminated. Fault Code 46B7, Swirl Flap Actuator, is stored in the DDE.

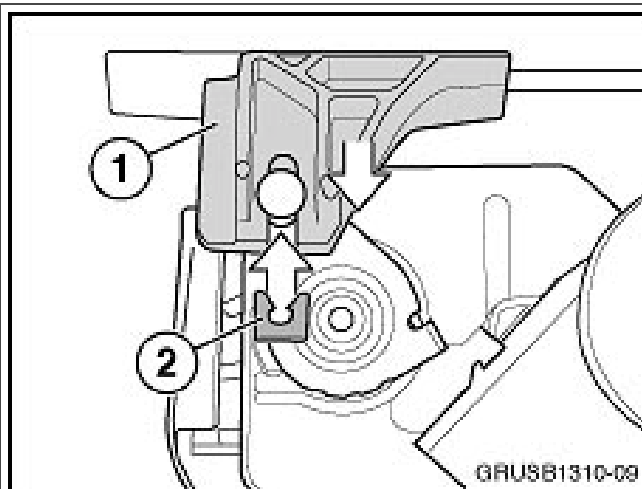
CAUSE

The linkage rod for the swirl flaps in the intake manifold is binding at the pivot point of the swirl flap actuator.

PROCEDURE



Remove the intake manifold (refer to Repair Instruction REP11 61 050). Turn the manifold over to access the swirl flap actuator (1).



Push the linkage arm (1) down onto the pivot point of the actuator, and install the clip (P/N 11 61 8 511 113) (2) onto the pivot of the actuator so that it is positioned between the swirl flap linkage and the actuator pivot. Reinstall the manifold.

PARTS INFORMATION

Part Number	Description	Quantity
-------------	-------------	----------

11 61 8 511 113	Actuator retaining clip	1
11 61 7 790 198	Intake profile gasket	6
11 61 2 246 945	Intake profile gasket	6
11 61 2 245 439	EGR valve gasket	1
13 54 7 792 098	O-ring, throttle valve	1

WARRANTY INFORMATION

Covered under the terms of the BMW New Vehicle/SAV Limited Warranty as applicable, or the Certified Pre-owned Program.

Defect Code:	11 61 24 83 00	
Labor Operation:	Labor Allowance:	Description:
00 00 006*	Refer to KSD2	Performing vehicle test
11 61 550	Refer to KSD2	Removing and installing intake manifold

*Main Work – Only one main labor operation (ending with 000-499) may appear on any claim or group of claims (warranty, maintenance or campaigns) that are generated from the same repair visit.

All other labor operations on the same line or other lines must be claimed using plus code labor operations (KSD2 labor operations that have a (+) prefix and the last three digits are 500 or a higher number).

[Copyright ©2011 BMW of North America, Inc.]