

REP-REP-RAE9011M57T2-1128050_SCR Removing and installing/replacing the drive belt (elastobelt) for the air conditioning compressor (M57T2-SCR), VIN: XXXXXXXX

| | | | | |
|---------------------|---------------|----------------|---|--------------------|
| ISTA system version | 4.02.14.17970 | Data version | R4.02.14.17970 | Programming - data |
| VIN | XXXXXXXX | Vehicle | 3/E90/SEDAN/335d/M57/AUTO/US/LL/2010/09 | |
| Int.lev.works | - | Int.lev.(cur.) | - | Int.lev.(tar.) - |
| Mileage | 0 km | | | |

11 28 050

Removing and installing/replacing the drive belt (elastobelt) for the air conditioning compressor (M57T2-SCR)



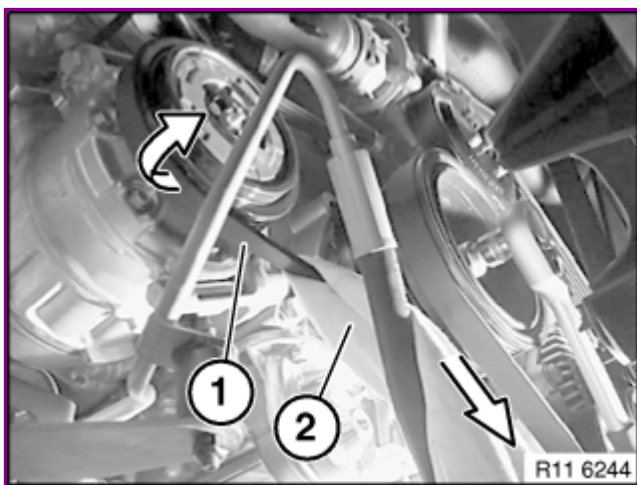
Special tools required:

- [11 0 331](#)
- [11 0 332](#)



Necessary preliminary tasks:

- Remove fan cowl (E70 only).
- Remove underbody protection (E90 only).

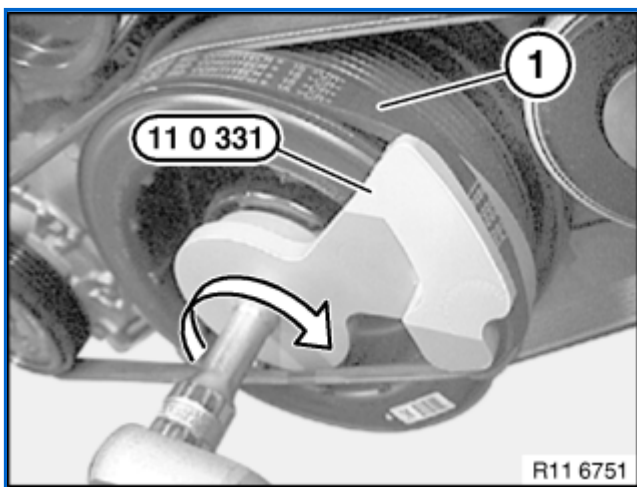
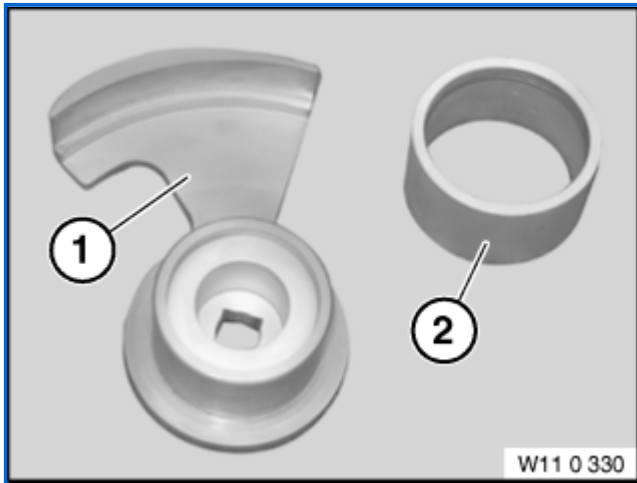


Crank engine in direction of engine rotation.

At the same time, pull off drive belt (2) towards front in direction of arrow using a clean cloth (1).

Remove drive belt (1) towards front.

While turning, push special tool (2) [11 0 332](#) onto special tool (1) [11 0 331](#).



Fit drive belt (1) on air conditioning compressor.
Draw drive belt (1) with special tools [11 0 331](#) and [11 0 332](#) onto belt pulley in direction of arrow.



Installation note:
Check installation position of drive belt.
Assemble engine.