

newTIS.info *beta*[BMW E90 335d Sedan / Repair Manuals and Technical Data / 66 Distance system, Cruise control, remote operation /](#)**Comfort Access control unit: E81, E87, E90, E91, E92, E93****Installation location**

> E81, E87

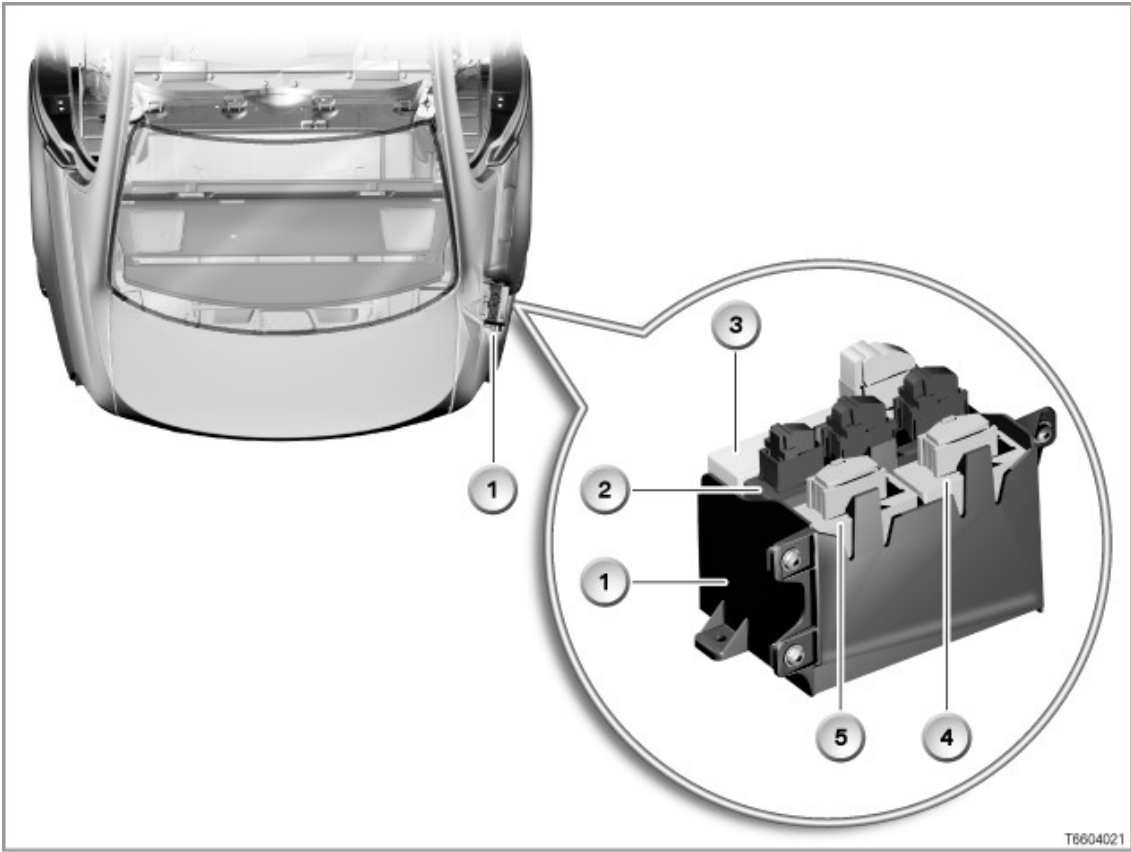
The control unit for Comfort Access is installed in the rear right of the luggage compartment.



The illustration shows the device holder in the E81, E87

Item	Description	Item	Description
1	Comfort Access control unit	2	Device holder

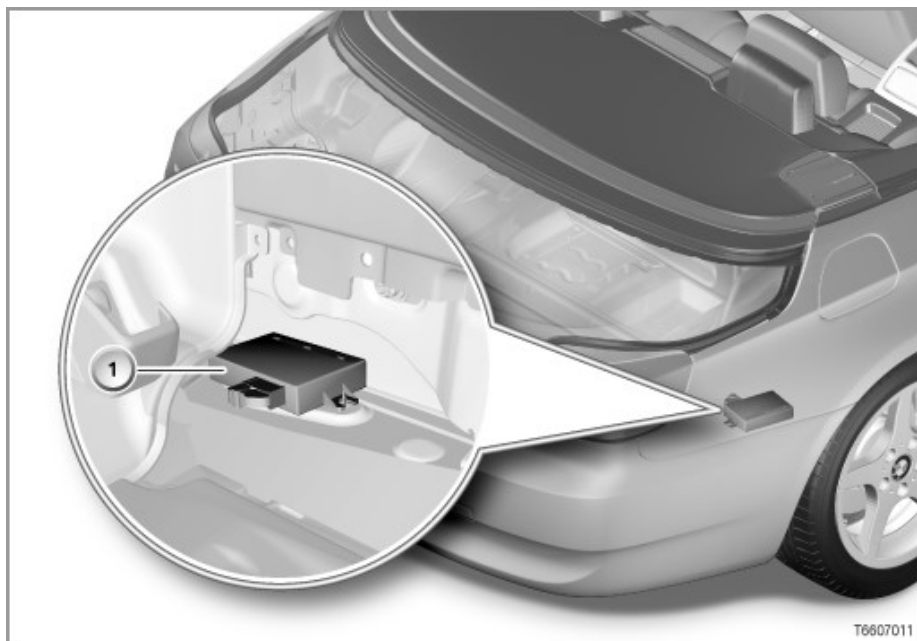
> E90, E91, E92



The illustration shows the device holder in the E90

Item	Description	Item	Description
1	Device holder	2	PDC control unit
3	Comfort Access control unit	4	Control unit for electrically locking trailer coupling
5	Trailer module		

> E93



T6607011

Item	Description	Item	Description
1	Comfort Access control unit		

Construction

The Comfort Access control unit is connected to the vehicle wiring harness via a 26-pin connector.

- Pin assignments

Pin assignment for connector X13354, 26-pin		
Pin	Type	Description
	A = Output	
	E/A = Input and output	
	M = Earth	
	V = Power supply	
	For current specifications regarding pin assignments, please refer to BMW diagnosis system	
1	E/A	Bus cable 1 for K-bus
2	E/A	K-CAN Low
3	A	FBD receiver actuation
4	E/A	Bus cable 2 for K-bus
5	---	---
6	A	Actuation of interior aerial in centre console, front
7	---	---

8	A	Actuation of interior aerial in centre console, rear
9	---	---
10	A	Actuation of interior aerial on luggage compartment, middle
11	---	---
12	---	---
13	A	Actuation of exterior aerial in rear bumper, middle
14	V	Terminal 30, power supply
15	E/A	K-CAN High
16	M	Terminal 31, earth
17	E/A	Bus cable 3 for K-bus
18	A	Actuation of interior aerial in luggage compartment
19	---	---
20	A	Actuation of interior aerial in centre console, front
21	---	---
22	A	Actuation of interior aerial in centre console, rear
23	---	---
24	---	---
25	A	Actuation of exterior aerial in rear bumper, middle
26	---	---

For informational purposes only. The information on this website is provided AS-IS with no warranties, express or implied, and is not guaranteed to be error-free, up-to-date or complete. Newtis.info and BMW assume no liability for any loss or damage arising from the use or reliance on the information and content on this website. The content on this website is subject to change without notice.