

Installation Instructions

Communication, Satellite Radio

Ver 1.0

Page 1 of 8

June 2005

Accessory
Development

SUBJECT

SIRIUS RETROFIT KIT - P/N 65 11 0 406 351

MODEL

3 Series Sedan (E90): Select Vehicle Production 03/05 – On*

* Vehicle must have optional Satellite Radio Preparation (SA 693).

SUGGESTED INSTALLATION TIME: 1.0 HOURS**

** Suggested installation time includes re-coding of the vehicle only for this retrofit kit. This time is based on a vehicle that is at the current software level and does not require any updates. Before installing this accessory into the vehicle, the vehicle should be connected to the DIS and checked for software updates. If updates are available the vehicle should be programmed prior to installing this accessory.

Please refer to SI B09 05 01 for latest BMW approved Retrofit coding procedures.

The instructions below are developed for BMW vehicles and are not to be compared to any other existing instructions for vehicles other than BMW. No methods other than those specified in this document are to be used for installation in BMW vehicles. Left and right are determined from the driver's seat.

Carefully read all instructions and supplements before proceeding with the installation. Reference should be made to TIS for instructions dealing with a stock part of the vehicle but not stated in detail in these instructions.

The instructions were complete and up to date at time of publication; however, changes to the vehicle or installation may have occurred. Please report any problems or changes noted with the installation to BMW Technical Hotline, along with VIN, date of manufacture and as much detail as possible.

★ ★ DO IT RIGHT THE FIRST TIME, ON TIME, EVERY TIME ★ ★

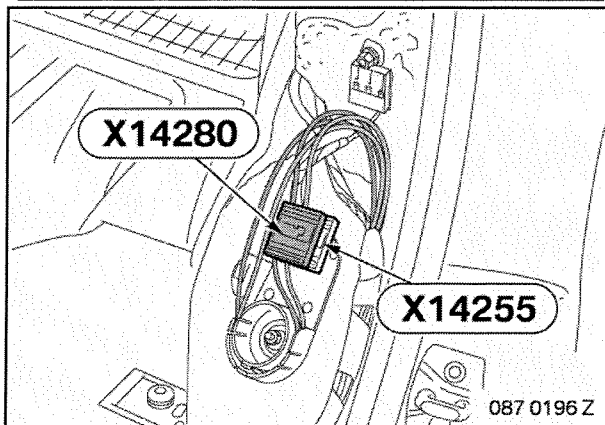
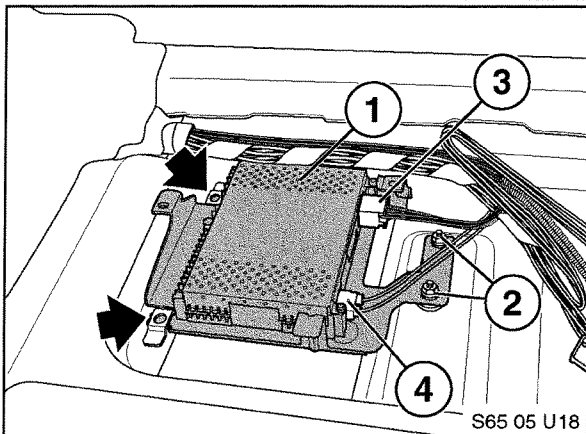
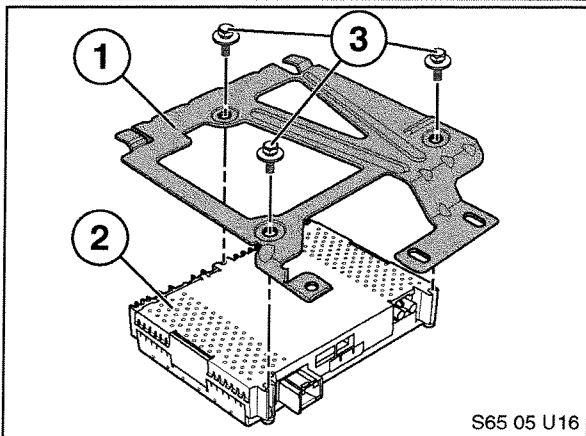
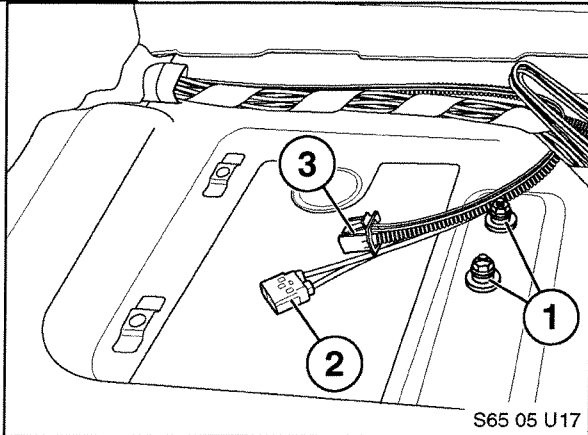
PARTS INFORMATION

Contents of Kit - P/N 65 11 0 406 351

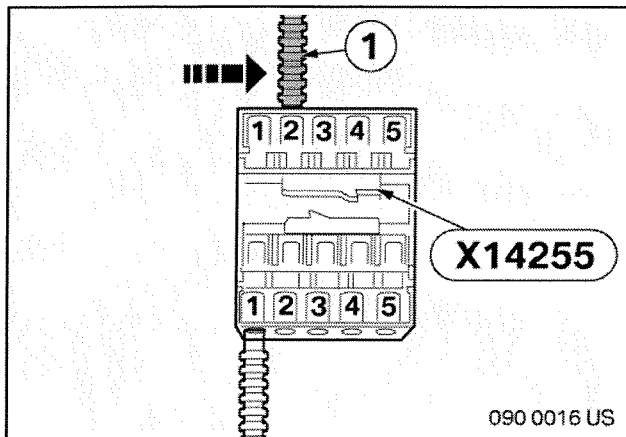
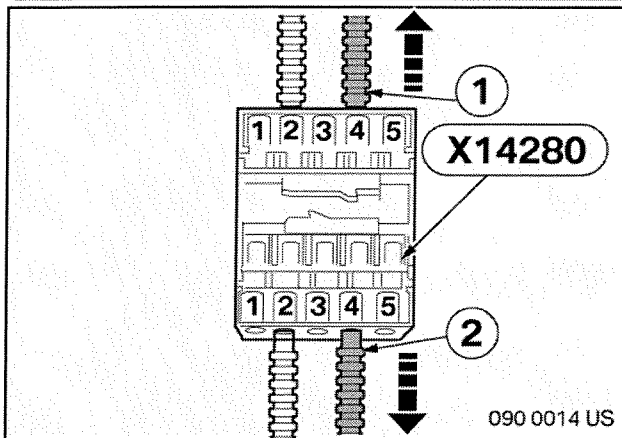
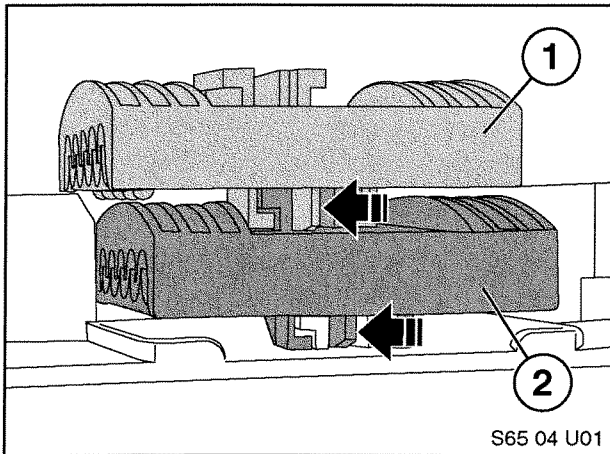
Description	Qty	BMW Part Number
Bracket	1	65 12 6 927 699
Hex Nut	2	41 24 8 147 832
Hex Bolt	3	07 11 9 902 932

ADDITIONAL REQUIRED PARTS

Sirius Receiver 65 12 6 948 064

Procedure

1. Disconnect battery.
2. Remove trunk floor panel.
3. Remove two Hex bolts (1) and locate the Sirius antenna (2) and power/MOST (3) connectors.
4. Mount Sirius receiver (2) to bracket (1) using three Hex bolts (3) as shown.
5. Connect the Sirius antenna (4) and power/MOST connectors (3) into the Sirius receiver (1).
6. Slide bracket assembly into the tabs in the trunk floor as shown and secure with two Hex nuts (2).
7. Fold down drivers side rear seat backrest and remove left backrest part to access MOST junction blocks X14280 and X14255.



8. Separate upper black junction block (1) from lower black junction block (2) by pushing locking tab (black arrow) to the left and sliding upper block rearward.
9. Separate lower junction block (2) from plastic mounting bracket by pushing locking tab (black arrow) to the left and sliding block rearward.

Fiber optic cables not shown in illustration S65 04 U01

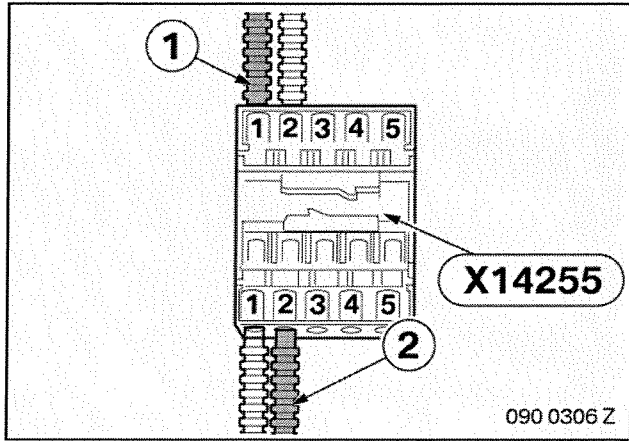
Warning: Before proceeding with the next step, please label all fiber cables including whether cable is Input or Output to avoid cabling errors.

10. Unlock the cover caps from the MOST-bus junction blocks with the aid of a small flat head screwdriver.
11. Remove the satellite receiver (SDARS) fiber optic cables (1 & 2) from **Position 4** of the upper black junction block X14280 with the aid of a small flat head screwdriver.

12. Remove the fiber optic cable (1) from **Position 1** on the lower black junction block X14255 and re-connect it to **Position 2**.

Note: The number of fiber cables connected to MOST junction block X14255 may differ than shown depending on vehicle options.

Note: It may be necessary to remove and re-connect multiple fiber cables into next slot positions from Step 12 if Position 2 is already occupied.



13. Connect the SDARS fiber optic cable (1) removed from junction block X14280 in Step 11 into the empty slot **Position 1** of junction block **X14255**.
14. Connect the SDARS fiber optic cable (2) removed from junction block X14280 in Step 11 into the empty slot **Position 2 (or next available slot depending on vehicle options)** of junction block **X14255**.

Note: *The number of fiber cables connected to MOST junction block X14255 may differ than shown depending on vehicle options.*

15. Lock the cover caps onto the upper and lower black junction blocks and re-secure both junction blocks to the plastic bracket.
16. Re-connect battery and re-install all components removed during installation.

Installation is complete.

Proceed to Retrofit Coding and then Activation Procedure to finalize Sirius vehicle retrofit.

RETROFIT CODING

1. Create a PuMA case and request a modified vehicle order for the installation of S-DARS. To expedite your request, mark "S-DARS VO request" in the subject line.
2. Include in the PuMA case:
 - a) Details of all retrofits and/or conversions that are on the vehicle. e.g. CDC, PDC, etc.
NOTE: Failure to do so will result in an incorrect VO being sent to you.
 - b) An e - mail address at the dealer . NOTE: This e-mail address must be on a computer with a 3.5 inch floppy drive. Also, Hotmail or Yahoo accounts generally have filters that **do not** allow proper downloading of the VO.
3. You will receive an email from BMW NA with an attached "xmldb.xml" file. Do not attempt to open this file but to copy it onto a new blank floppy disk.
4. Connect the vehicle to a Software Service Station and adapt the vehicle order - follow SI B09 05 01 (Coding, Individualization, Programming) section entitled "Adapt VO (Vehicle Order)".
5. Perform a complete vehicle coding (SI B09 05 01 Procedure E), to complete the installation.

The completed installation will result in a Vehicle Order that includes the option code 655 for S-DARS.

Proceed to Activation Procedure

ACTIVATION PROCEDURE
SIRIUS SATELLITE RADIO FOR E90 WITHOUT NAVIGATION

Step 1: Locate vehicle outside so that the roof with has a clear **Line-of-Sight** to the sky. Make sure that vehicle is located at a distance greater than 10 feet from nearest building. (Do not place vehicle under a tree or other solid structure.)

Note: For BMW Centers located in downtown cities such as NYC or LA, it may not be necessary to locate vehicle outside. In this case, locate vehicle near window or other area with adequate signal strength to receive Sirius signal and activate receiver. Please consult your Sirius representative for signal coverage in your area.

Step 2: Select key position 1. (**KL-R**)

Step 3: Turn radio ON.

Step 4: Press **Audio** button and select **SAT** radio mode.

Step 5: "**SIRIUS**" should be briefly displayed on the radio and then "**Preview CH184**" should be displayed. **Channel 184 should be available on every new receiver and was designed to allow technicians to confirm Sirius receiver functionality before initial activation.**

Step 7: If "**Preview CH184**" is displayed and audio is functioning correctly, proceed to step 10. If not, go to next step.

*Step 8: If "**Preview CH184**" is not available, turn key OFF, wait @5 minutes for MOST bus to RESET, and repeat Steps 2 - 4.*

*Step 9: Allow receiver to update information. (Approx. 30 seconds) Audio should now be heard under "**Preview CH184**" channel. Channel 184 should be the only available channel.*

Step 10: Have completed **Sirius Satellite Radio Activation Worksheet** and contact Sirius to activate receiver. The **12-digit Sirius Receiver ESN** can be found on the Sirius receiver or be displayed on the radio by pressing and holding the **SAT** button until "Call Sirius" and "Phone: 1-888-539-SIRIUS" is displayed. Use right hand side rotary knob of radio to scroll down and display "**ESN:**" of Sirius receiver.

Step 11: After Sirius Customer Service Representative activates receiver, it will take approximately 5 minutes or less for signal to reach the vehicle. Leave radio in Sirius Satellite mode with "Preview" displayed and key in KL-R position for approximately 5 additional minutes in order to successfully download all initial satellite information.

Step 13: Select **CAT**. A list of available categories will appear. Using the right hand side rotary knob of the radio, select a category such as "NEWS" and the list of all channels in this category is displayed. If a receiver is activated correctly all channel names/numbers will be selectable and will **NOT** have "**(unsubscribed)**" displayed next to the channel name. If receiver is activated under a censored plan such as **Family Package** certain channels containing objectionable material will continue to display "**(unsubscribed)**" next to these censored channels. Please refer to Radio Owner's Manual for additional Sirius Satellite Mode functionality and features.

ACTIVATION COMPLETE

ACTIVATION PROCEDURE
SIRIUS SATELLITE RADIO FOR E90 WITH NAVIGATION

Step 1: Locate vehicle outside so that the roof has a clear **Line-of-Sight** to the sky. Make sure that vehicle is located at a distance greater than 10 feet from nearest building. (Do not place vehicle under a tree or other solid structure.)

Note: For BMW Centers located in downtown cities such as NYC or LA, it may not be necessary to locate vehicle outside. In this case, locate vehicle near window or other area with adequate signal strength to receive Sirius signal and activate receiver. Please consult your Sirius representative for signal coverage in your area.

Step 2: Select key position 1. (**KL-R**)

Step 3: From Main Menu, select **Entertainment** option using I-Drive.

Step 4: Select **SAT** option on top of screen.

Step 5: Select **All Channels**. A list of available channels will appear. If a receiver is not yet activated none of the channels will be checked (✓) except **CH 184 Preview**. Scroll down channel listing and select channel 184 to confirm it is available and audio is heard. **Channel 184 should be available on every new receiver and was designed to allow technicians to confirm Sirius receiver functionality before initial activation.**

Step 7: If "**CH 184 Preview**" is displayed and audio is functioning correctly, proceed to step 10. If not, go to next step.

*Step 8: If "**CH 184 Preview**" is not available, turn key OFF, wait @5 minutes for MOST bus to RESET, and repeat Steps 2 - 4.*

*Step 9: Allow receiver to update information. (Approx. 30 seconds) Audio should now be heard under "**CH 184 Preview**" channel. Channel 184 should be the only available channel.*

Step 10: Have completed **Sirius Satellite Radio Activation Worksheet** and contact Sirius to activate receiver. The **12-digit Sirius Receiver ESN** can be found on the Sirius receiver or by selecting an unchecked channel (such as CH 001). ESN will be displayed on screen if an unchecked channel is selected. Please refer to Activation Worksheet for correct Sirius activation procedure.

Step 11: After Sirius Customer Service Representative activates receiver, it will take approximately 5 minutes or less for signal to reach the vehicle. Leave radio in Sirius Satellite mode with "Preview" displayed and key in KL-R position for approximately 5 additional minutes in order to successfully download all initial satellite information.

Step 12: Turn KEY OFF. Wait approximately 5 minutes for receiver to reset, and repeat Steps 2 - 4.

Step 13: Select **All Channels**. A list of available channels will appear. If a receiver is activated correctly all channel numbers will include a check mark (✓). If receiver is activated under a censored plan such as Family Package certain channels containing objectionable material will remain unchecked. Please refer to Vehicle Owner's Manual for additional Sirius Satellite Mode functionality and features.

ACTIVATION COMPLETE